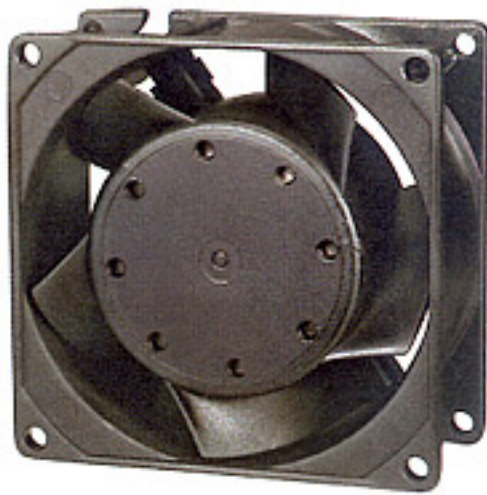


# AC Cooling Fan AC 3C



## SIZE :

80x80x38mm (3.15"x3.15"x1.5")

## CONSTRUCTION :

- Die-cast aluminum housing
- Glass fiber reinforced plastic: Impeller are UL 94V-0 rating
- Shaded pole motor
- Impedance protected
- Leader wire or terminal is available

## OPERATING TEMPERATURE :

Ball bearing - 30°C to +75°C  
Sleeve bearing - 10°C to +70°C

## WEIGHT :

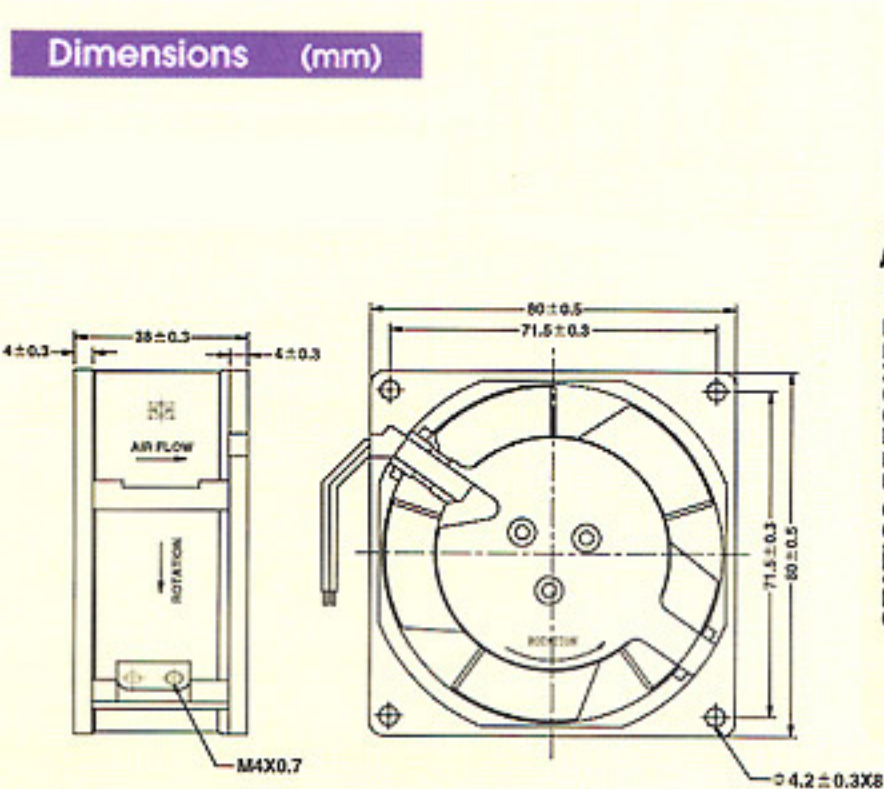
330 grams

## Specifications

Specifications are subject to change without notice

MODEL NO.	BEARING	RATED VOLTAGE	FREQUENCY Hz	MAX. RATED CURRENT mA	MAX. INPUT POWER W	SPEED R.P.M.	MAX. AIR FLOW		MAX. AIR PRESSURE		NOISE dB-A
		VAC					m <sup>3</sup> /min	CFM	mmH <sub>2</sub> O	IN H <sub>2</sub> O	
3C-115B	Ball	115	50/60	180/150	15/12	2600/3000	0.79/0.96	28/34	3.3/4.70	0.13/0.18	30/36
3C-115S	Sleeve										
3C-230B	Ball	230	50/60	90/75	15/12	2600/3000	0.82/0.99	29/35	3.3/4.70	0.13/0.18	29/35
3C-230S	Sleeve										
3C-DVB	Ball	230/115	50/60	110/200	15/12	2600/3000	0.82/0.96	29/34	3.1/4.50	0.12/0.17	30/36
3C-DVS	Sleeve										

## Dimensions (mm)



## Performance Curve

